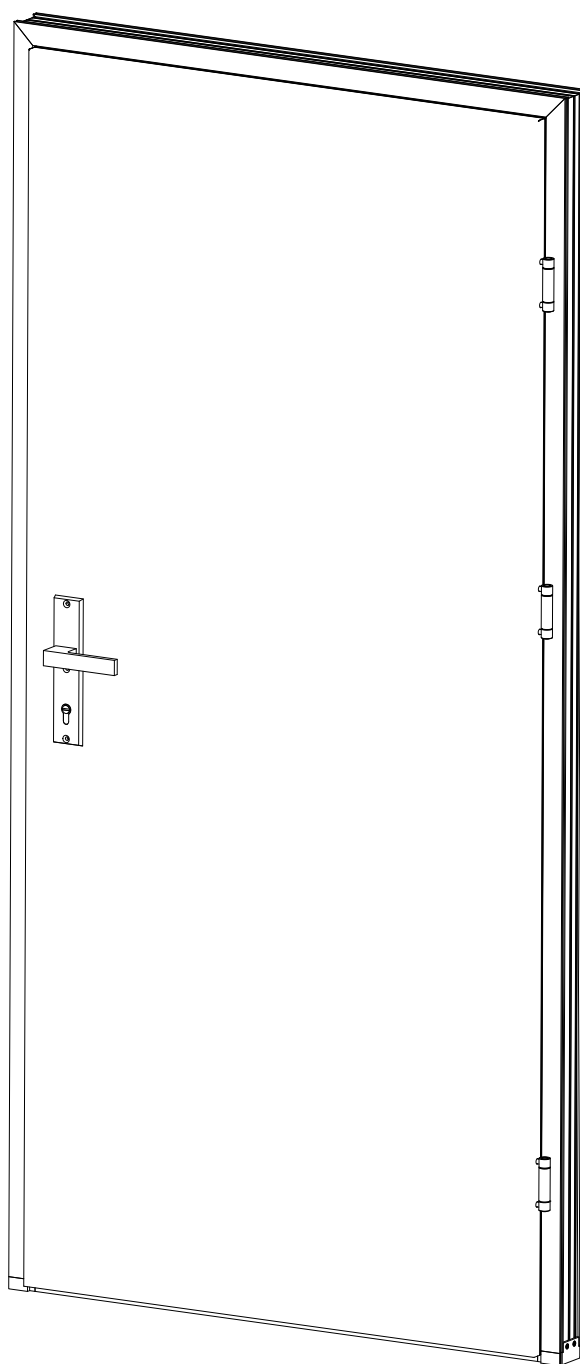
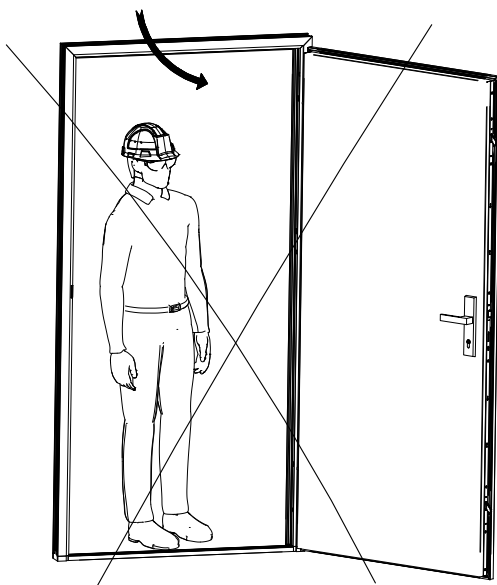


MANUAL

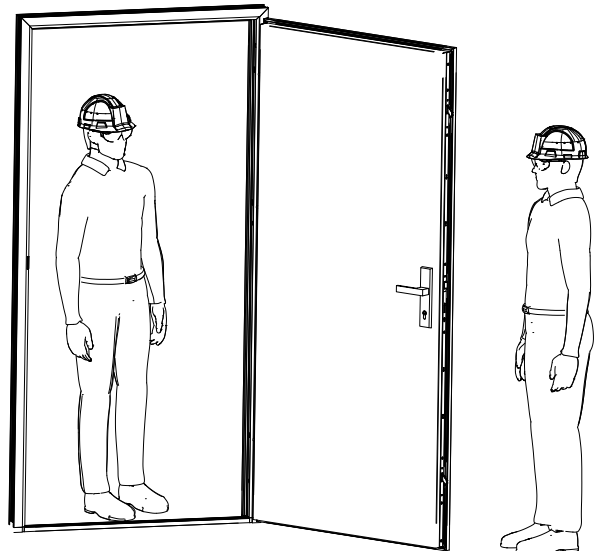




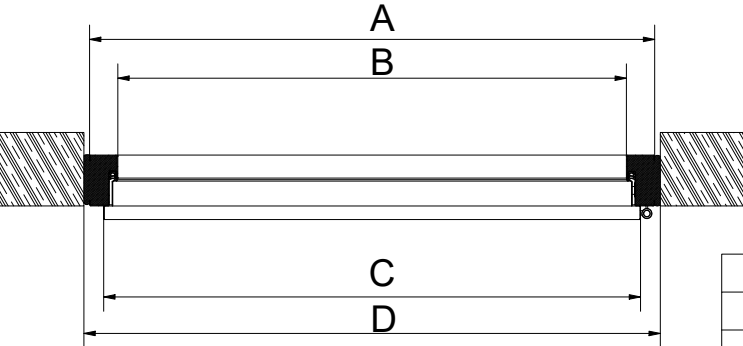
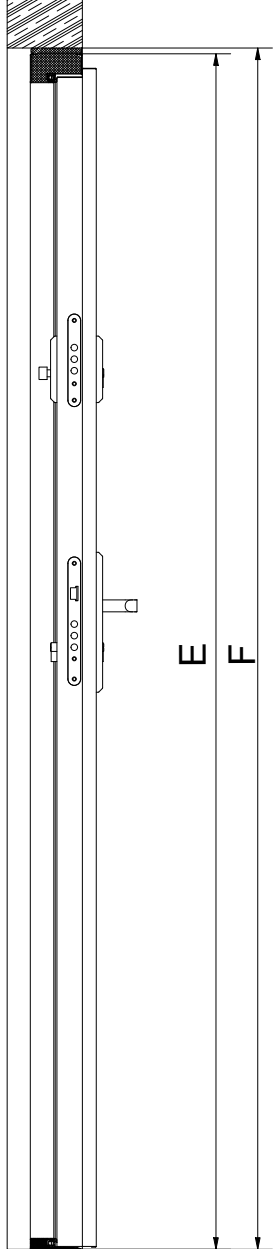
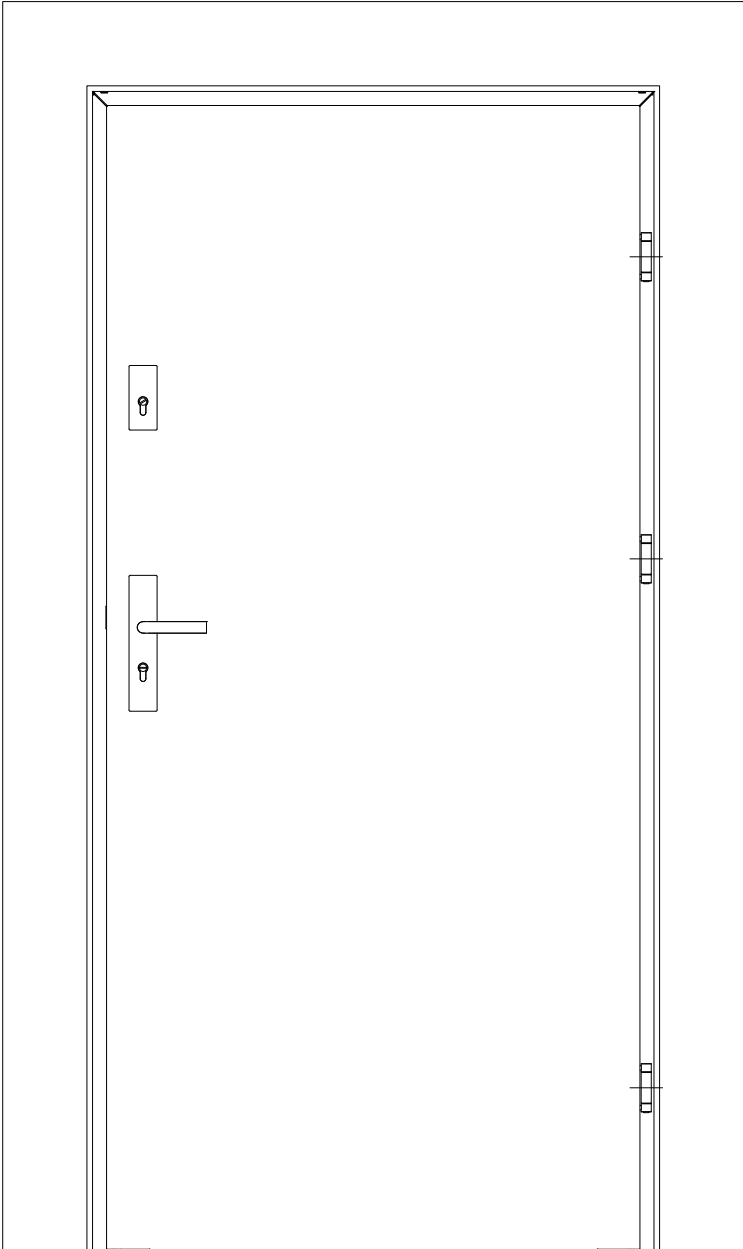
1 X  no



2 X  yes



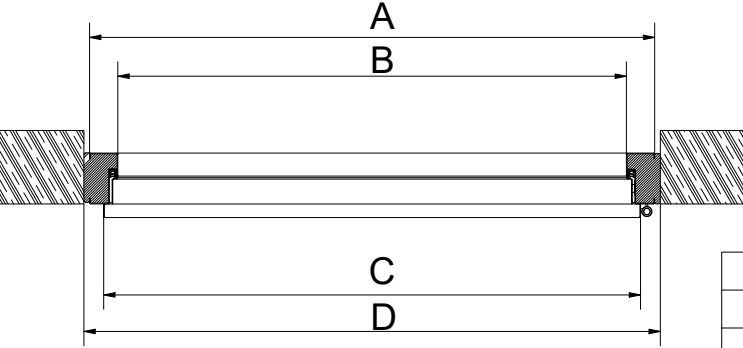
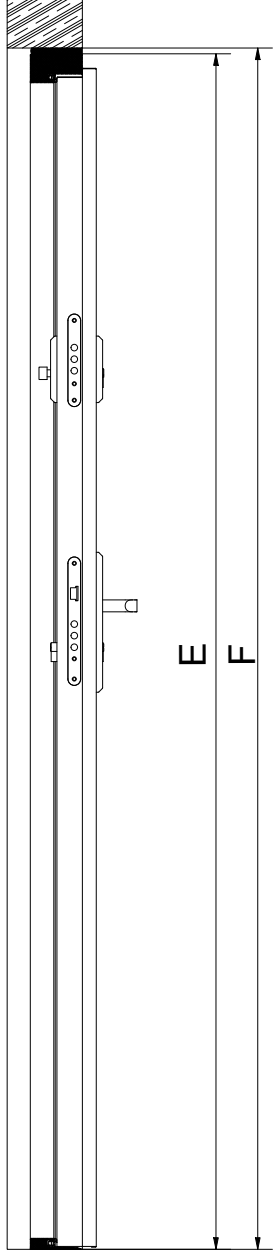
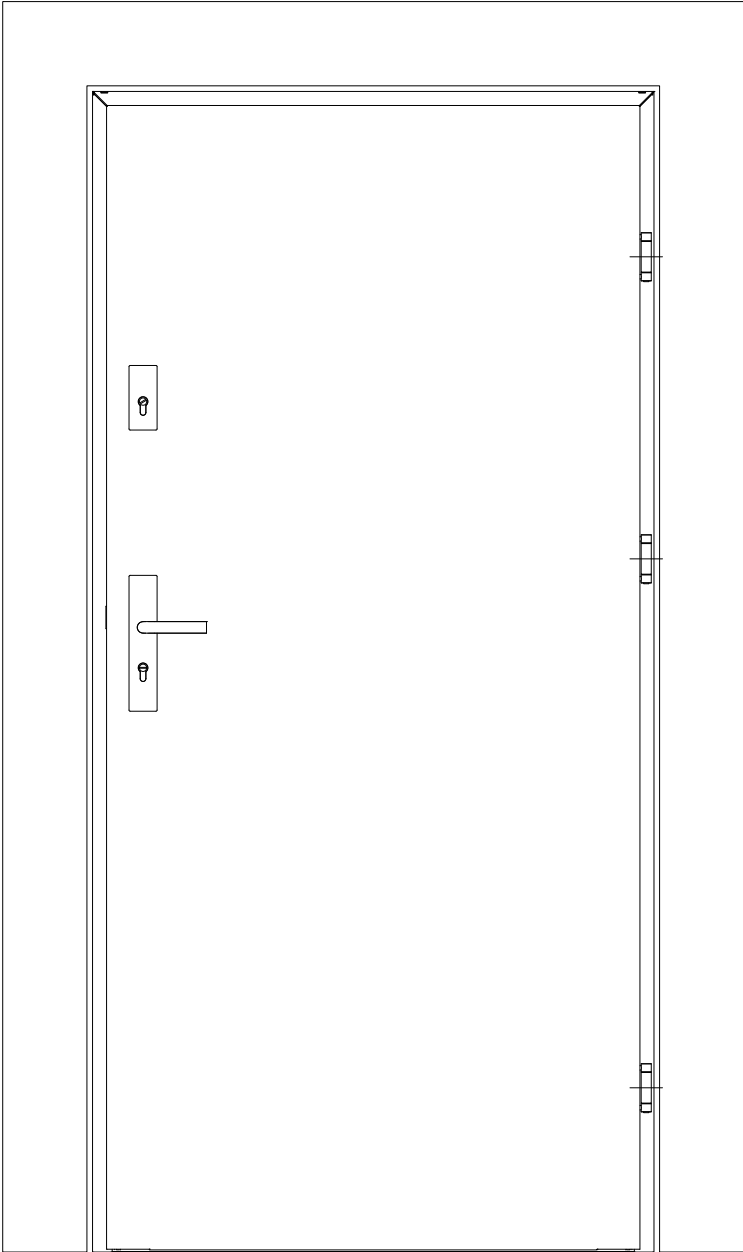
SYSTEM P55



DOOR TYPE P55:

DIMENSION	P55 80	P55 90
A	895	1000
B	795	900
C	850	950
D	905	1020
E	2061	2070
F	2070	2080

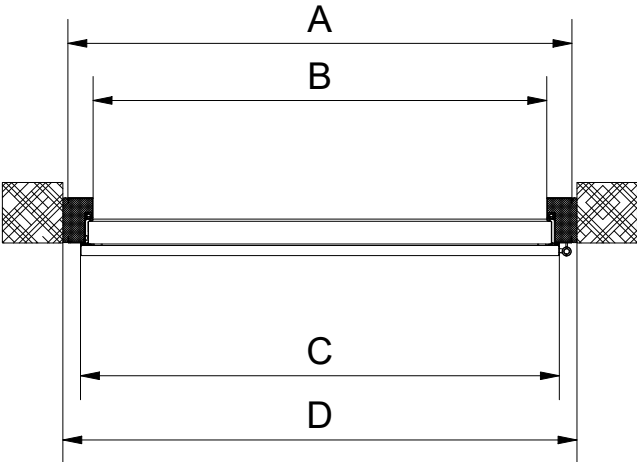
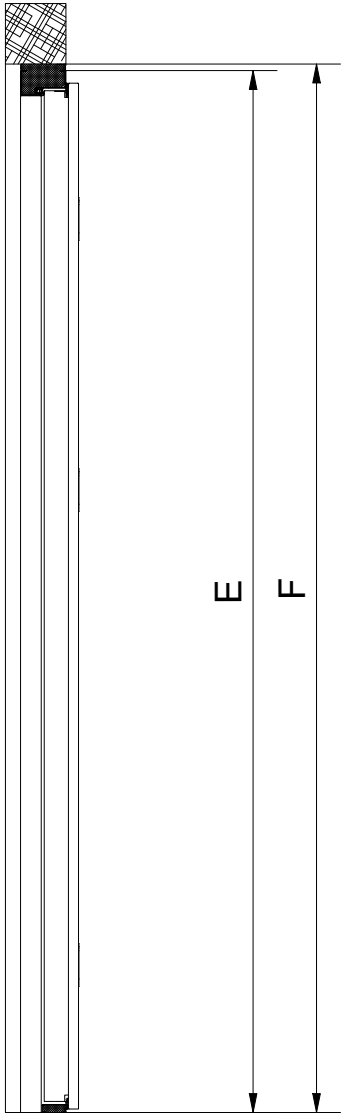
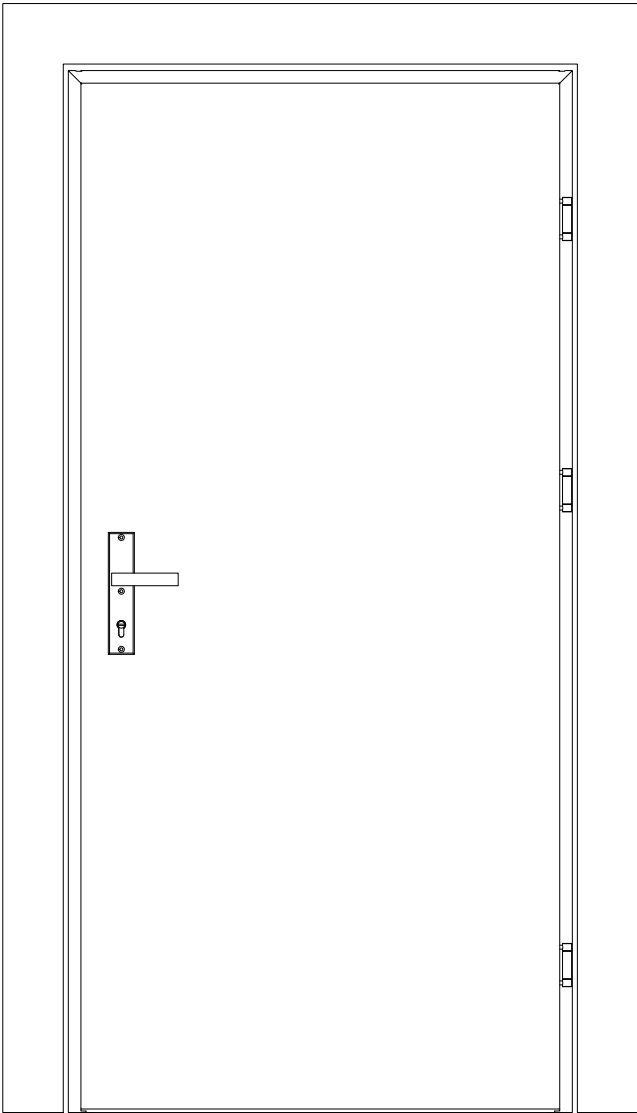
SYSTEM P68



DOOR TYPE P68:

DIMENSION	P68 80	P68 90
A	895	1000
B	795	900
C	850	950
D	905	1020
E	2061	2070
F	2070	2080

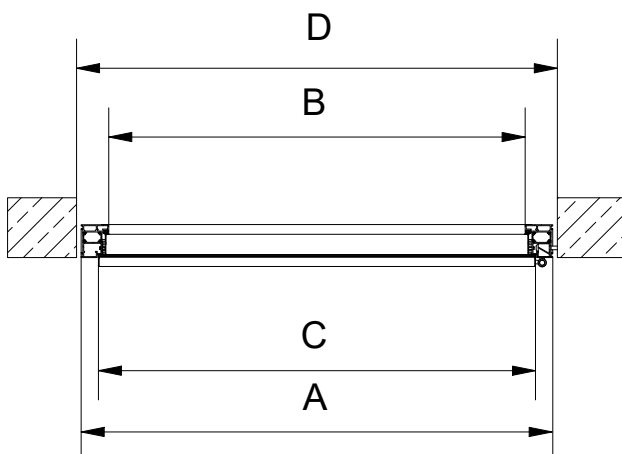
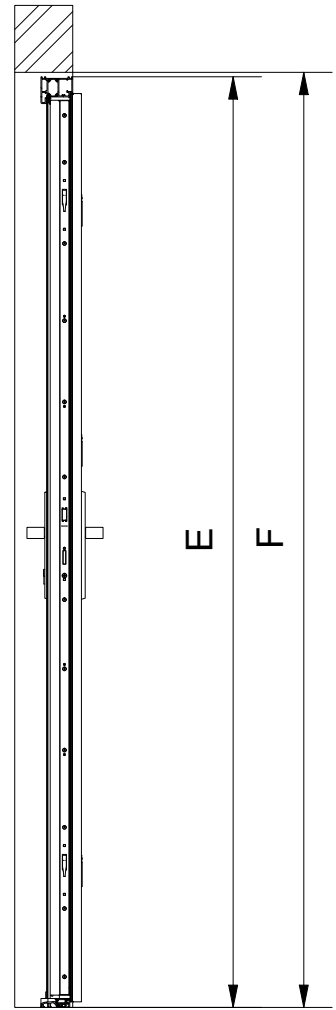
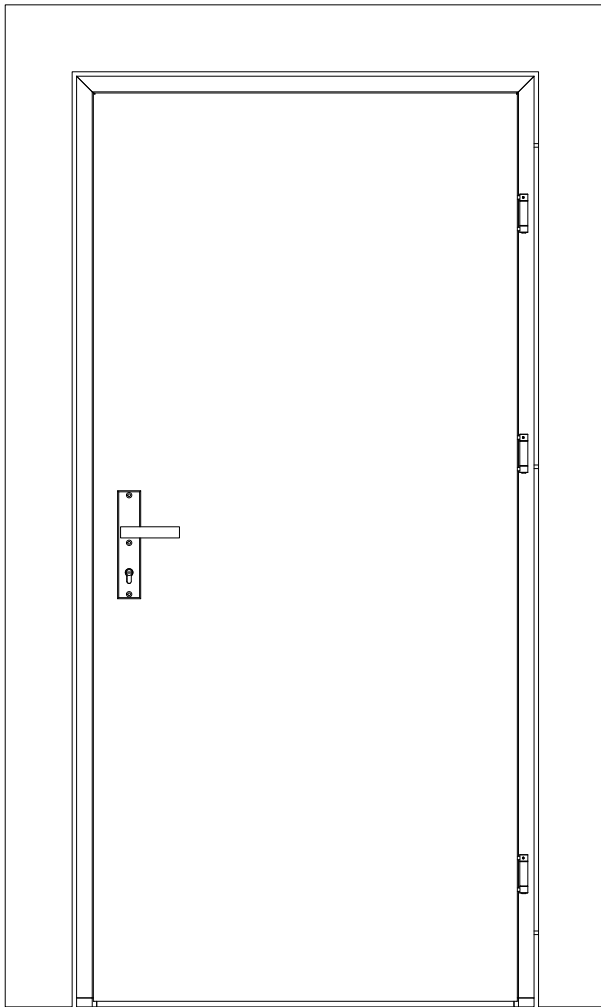
SYSTEM S68



DOOR TYPE S68:

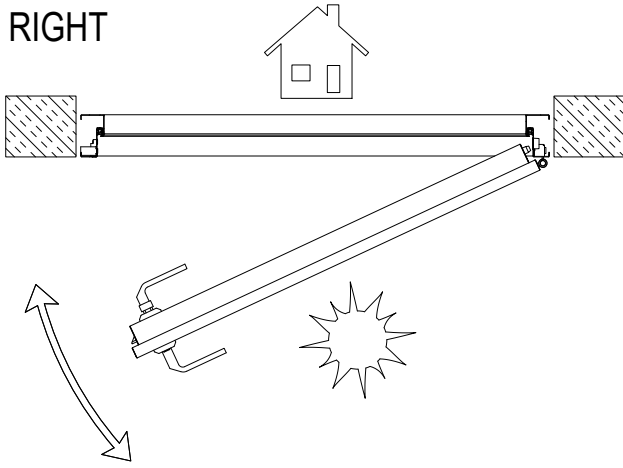
DIMENSION	P68 80	P68 90
A	880	1000
B	780	900
C	850	950
D	900	1020
E	2050	2070
F	2060	2080

SYSTEM S68 ZL ARTCIC

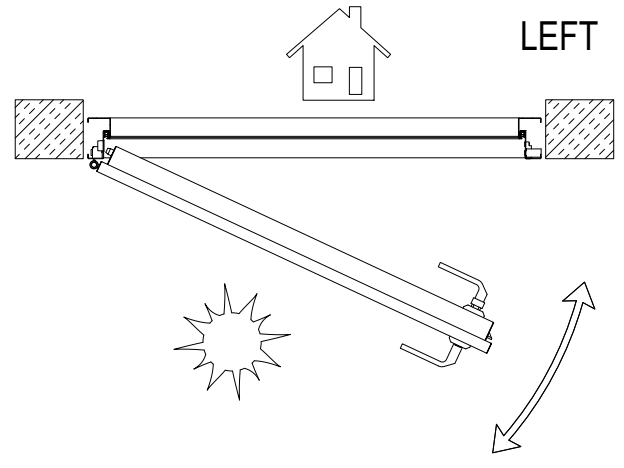


DOOR TYPE: S68 ZL ARTCIC		
DIMENSION	S68 80	S68 90
A	905	1025
B	785	905
C	830	950
D	925	1045
E	2070	2085
F	2080	2095

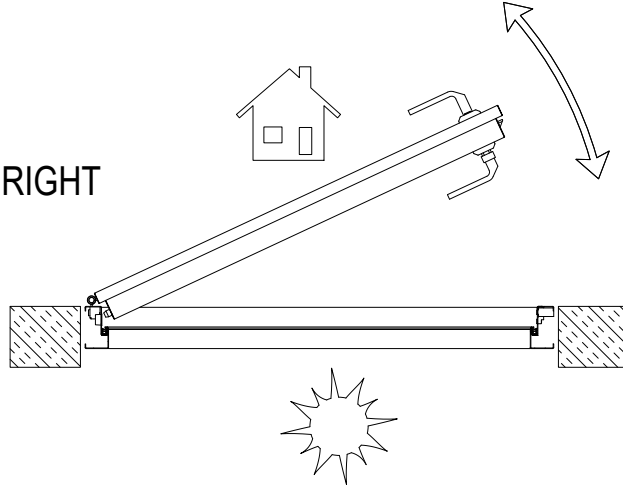
RIGHT



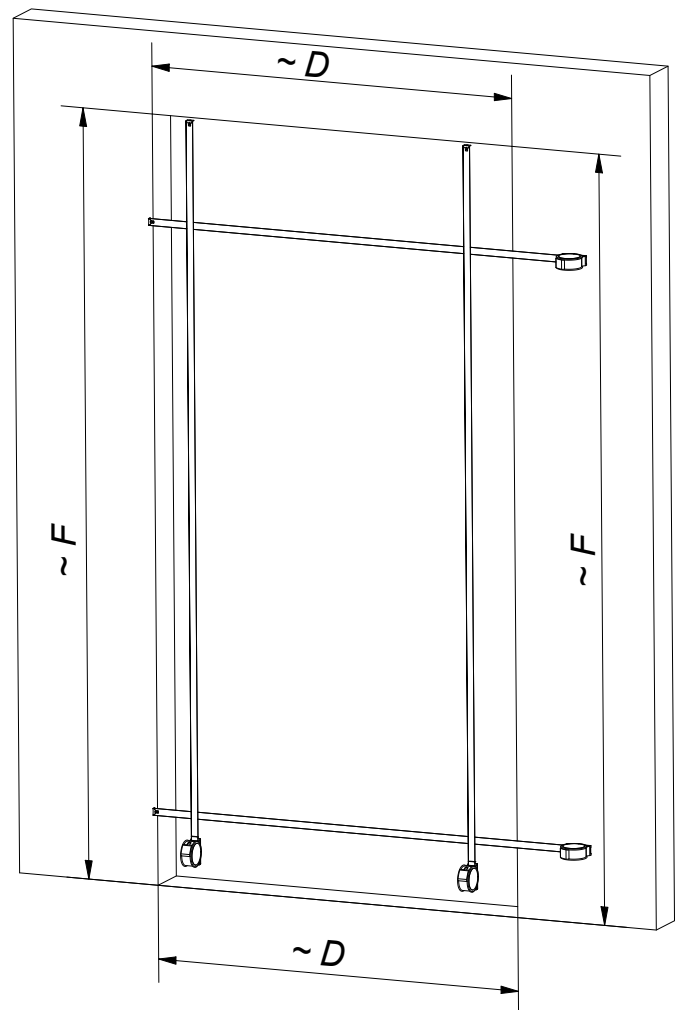
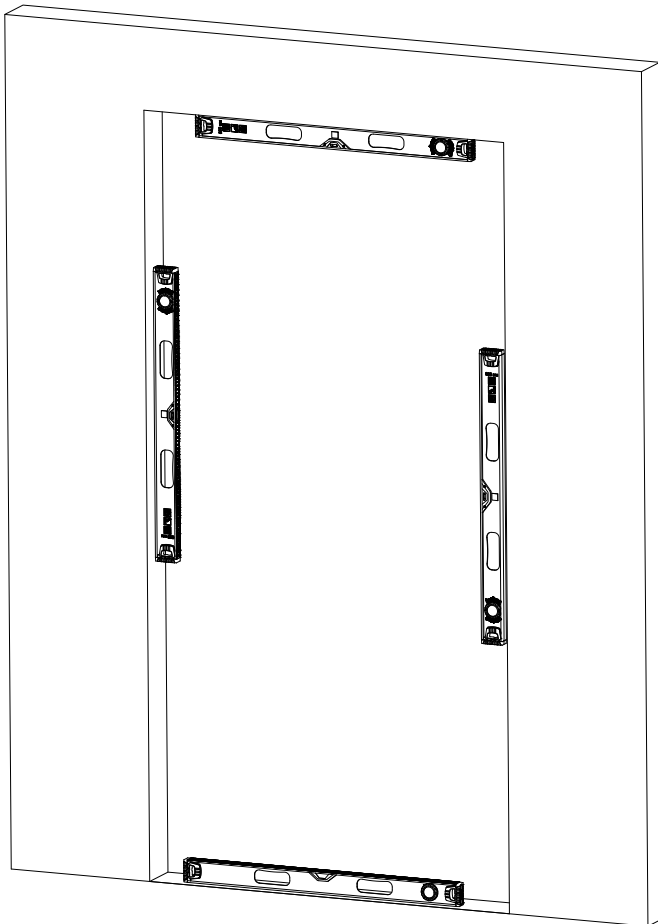
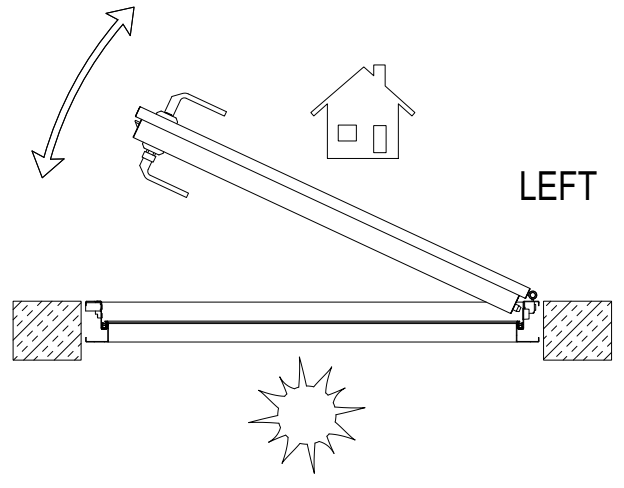
LEFT



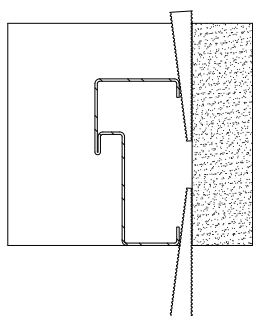
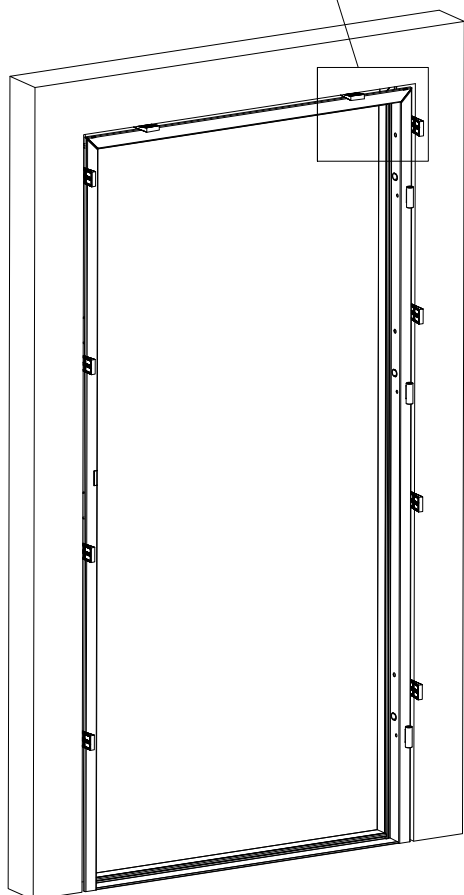
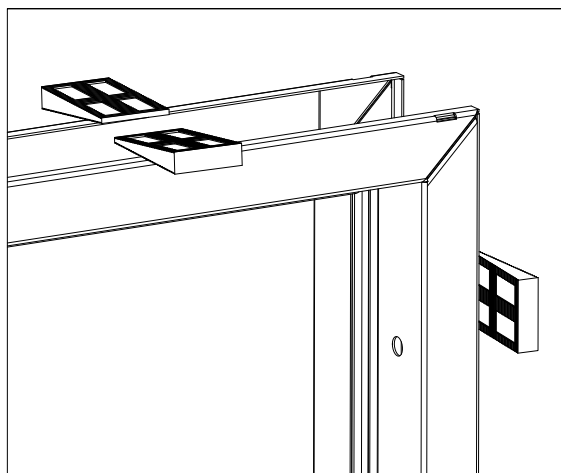
RIGHT



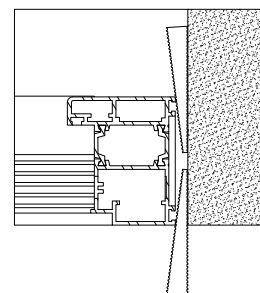
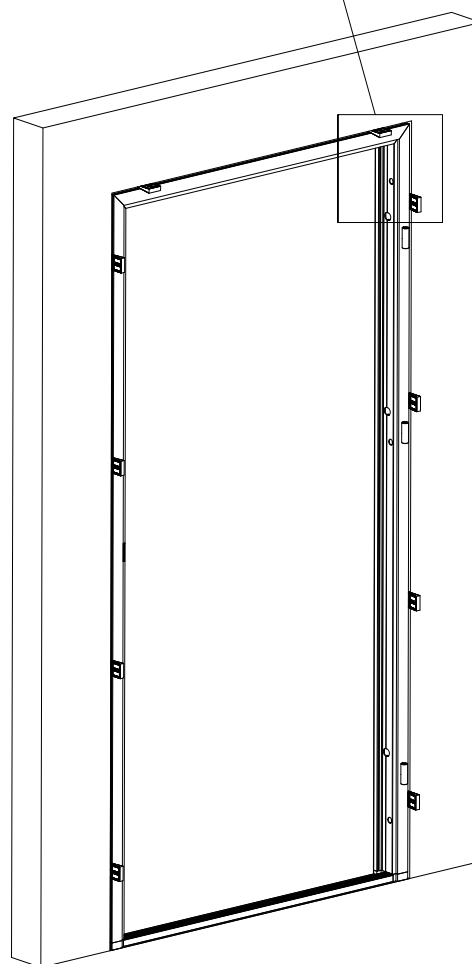
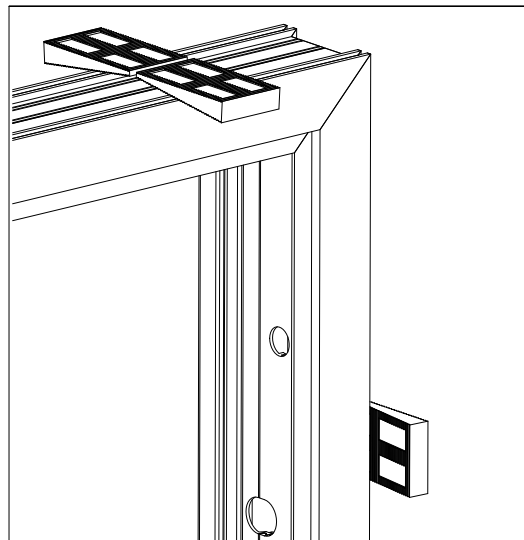
LEFT

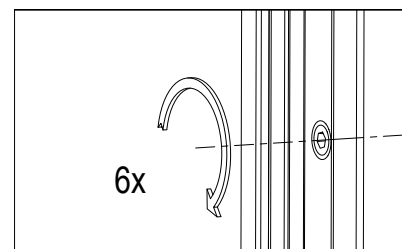
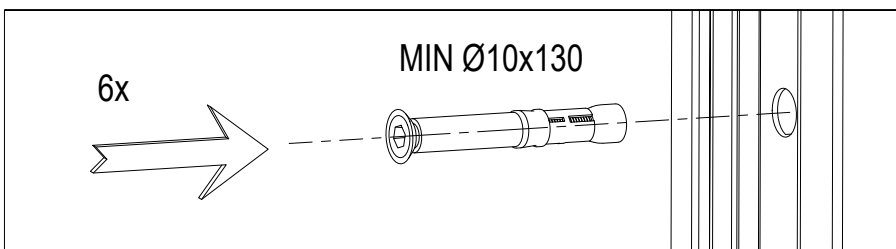
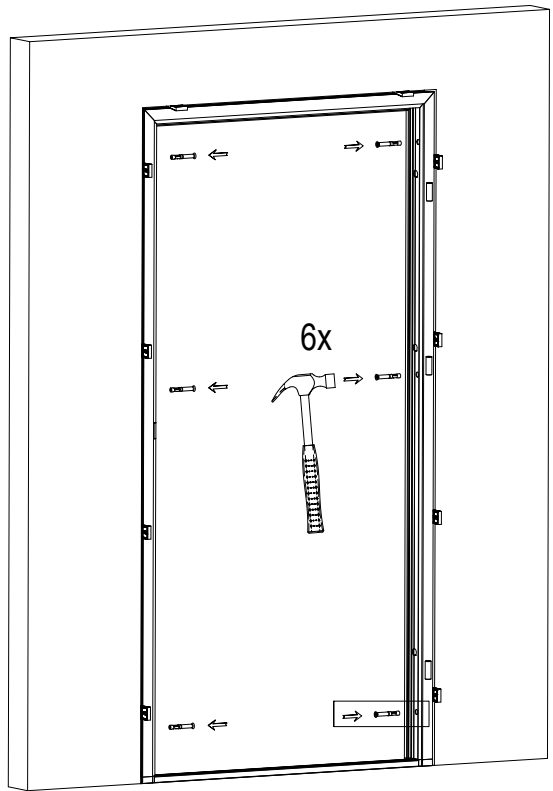
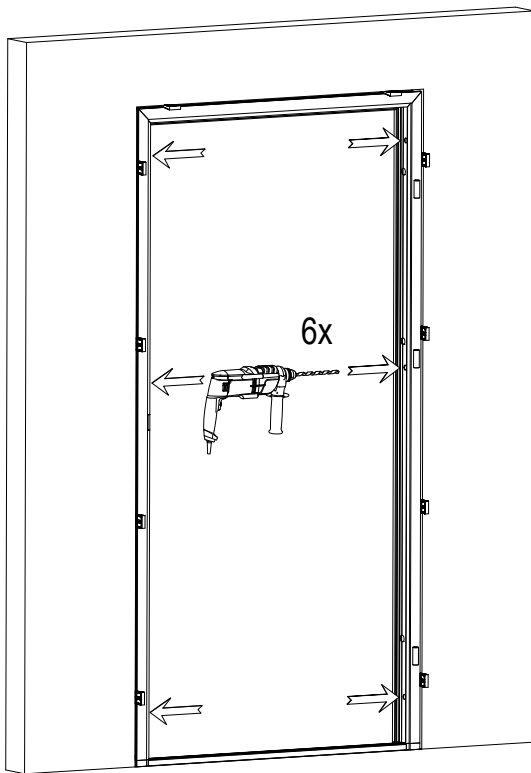
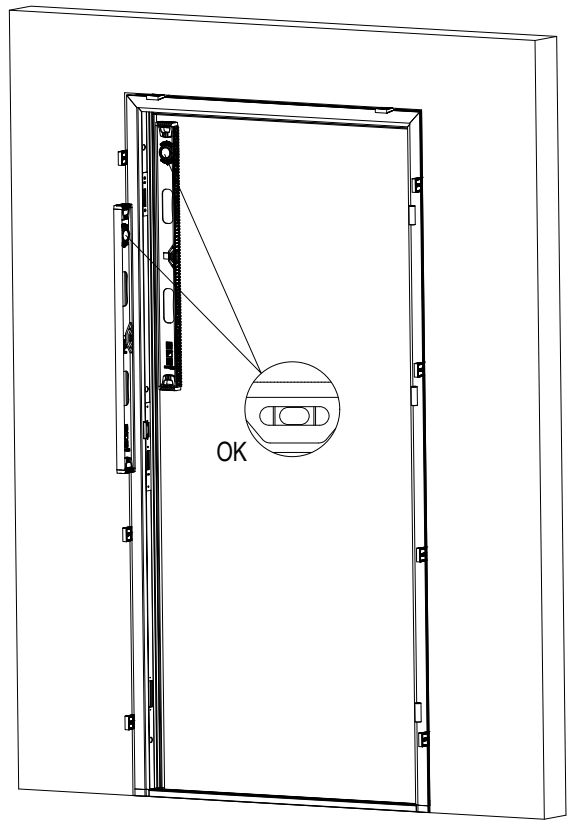
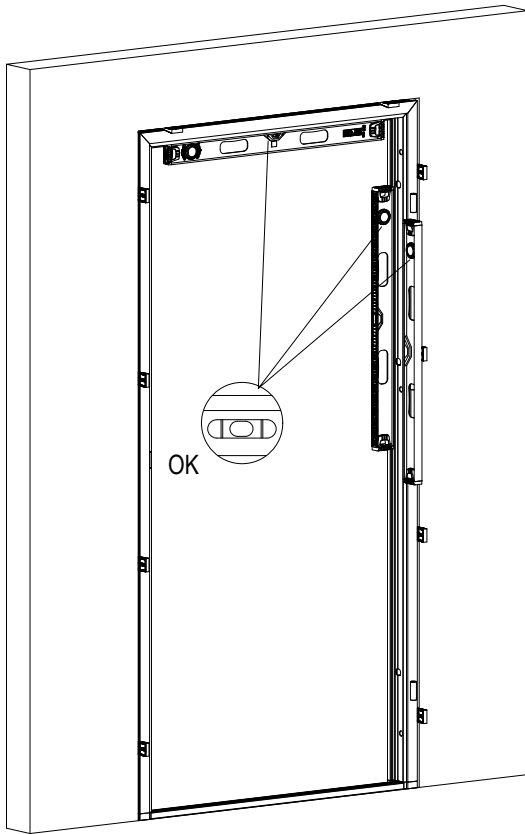


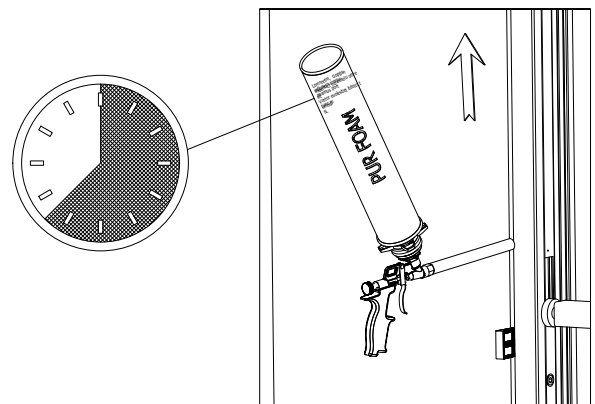
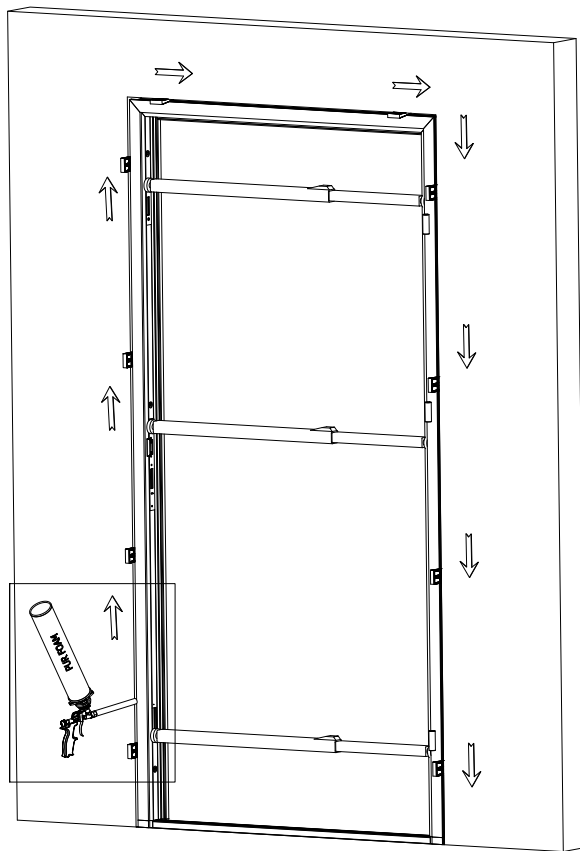
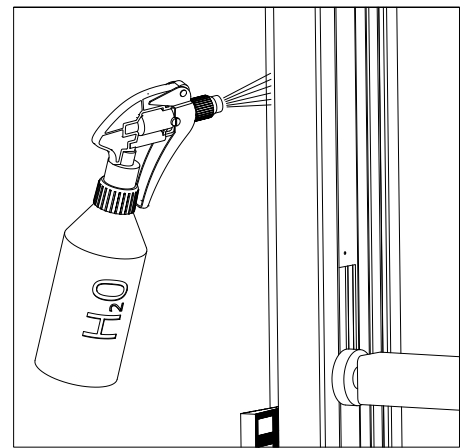
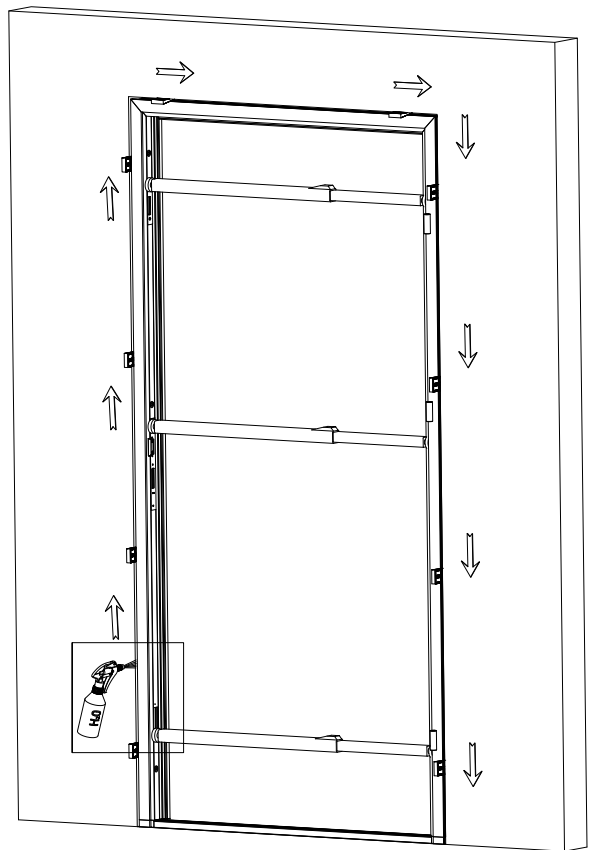
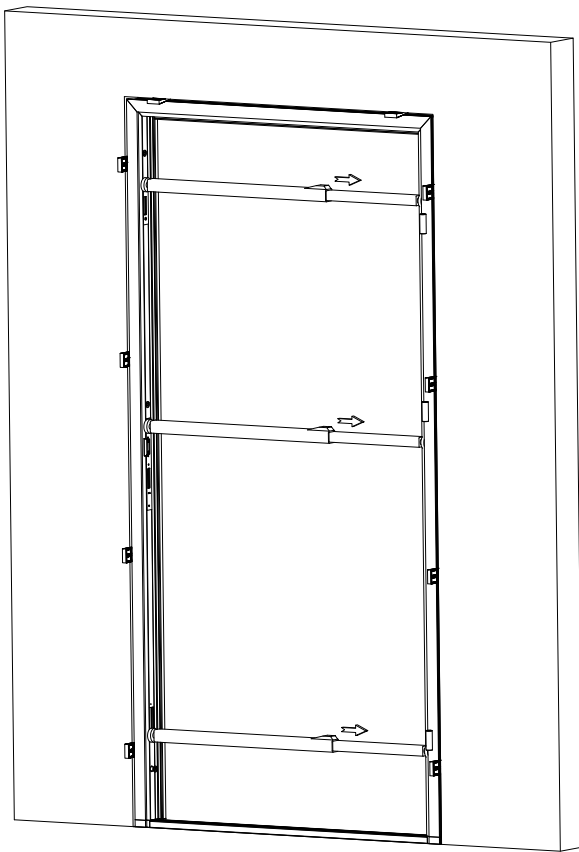
SYSTEM P55, P68, S68

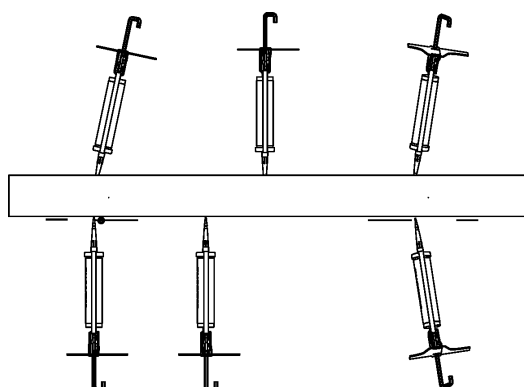
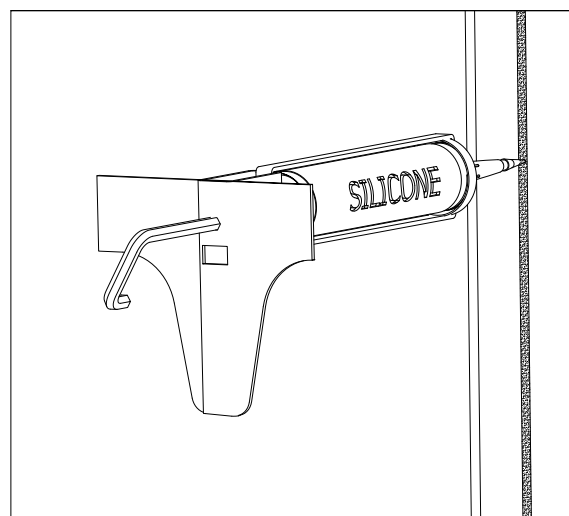
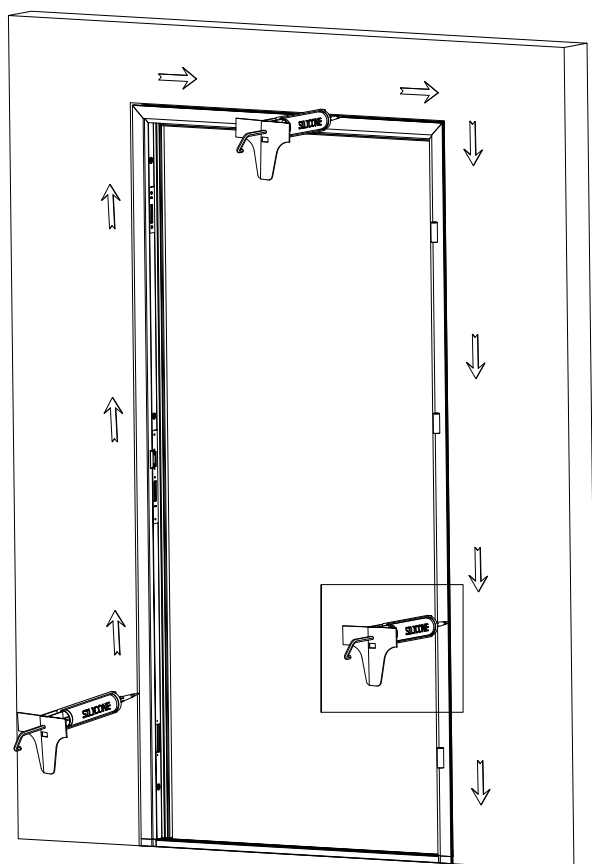
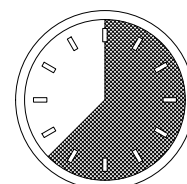
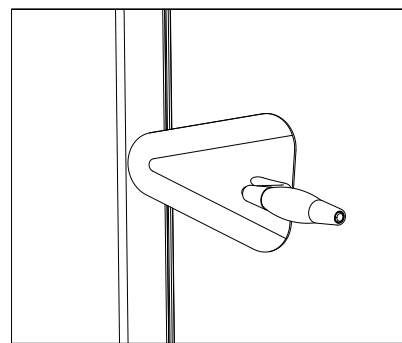
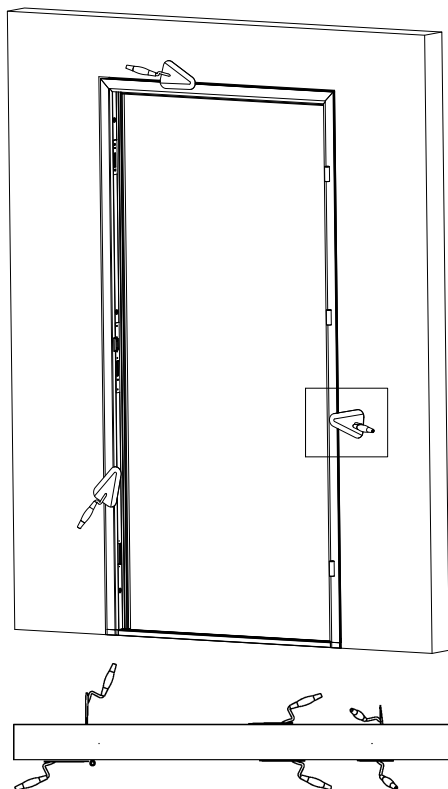


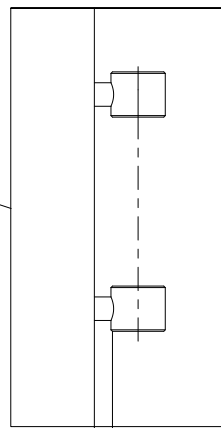
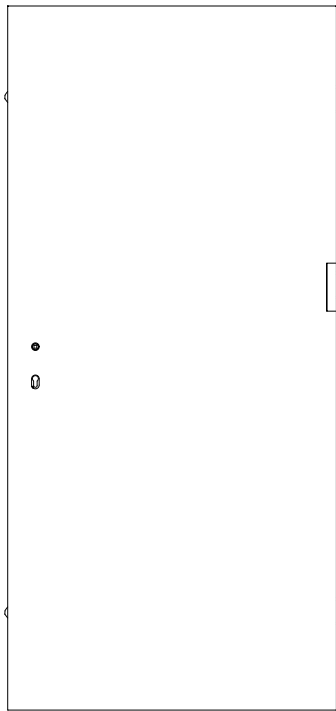
SYSTEM S68 ARCTIC





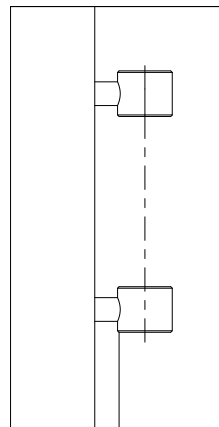
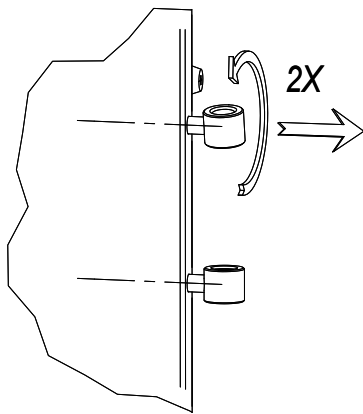
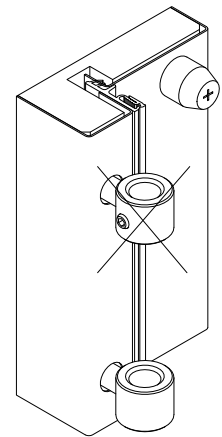
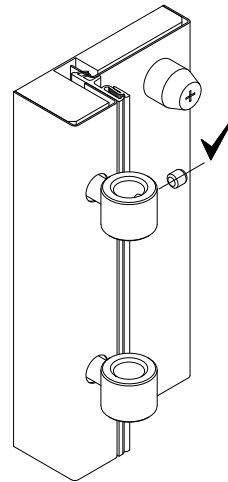




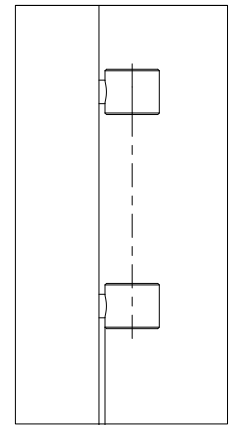
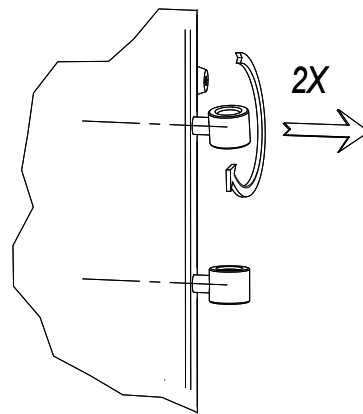


~X mm

DOOR TYPE				
DIM	P55	P68	S68	S68 ARCTIC
X	3 mm	3 mm	4 mm	4 mm

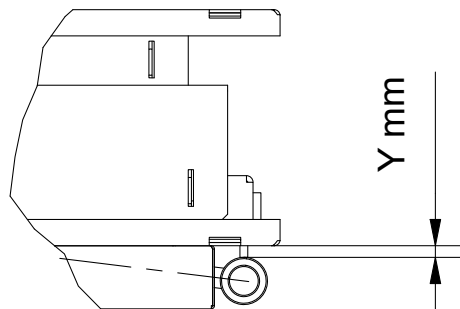
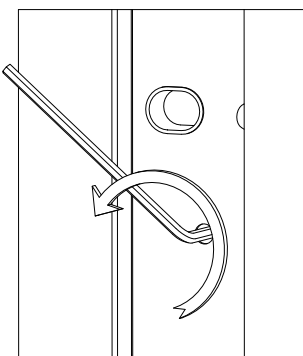


X+2 mm

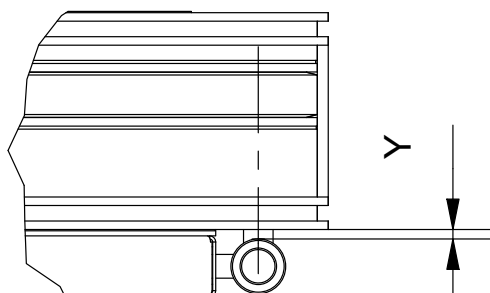
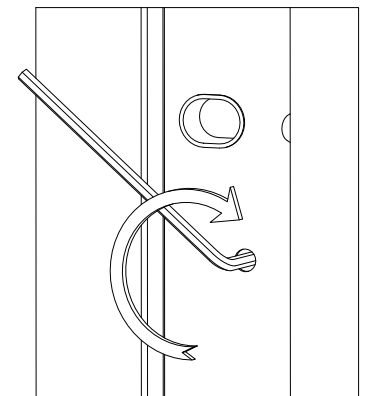


X-2 mm

SYSTEM P55, P68, S68



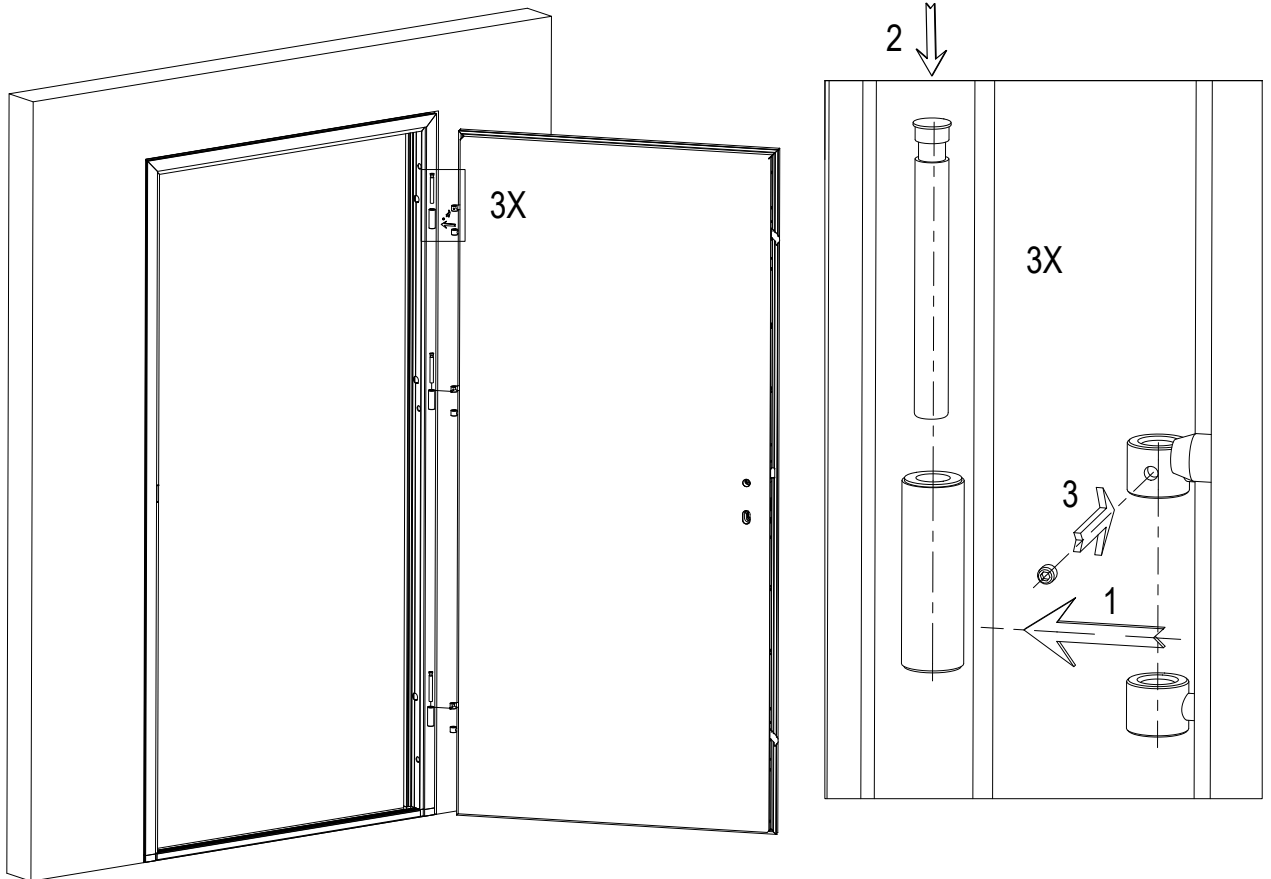
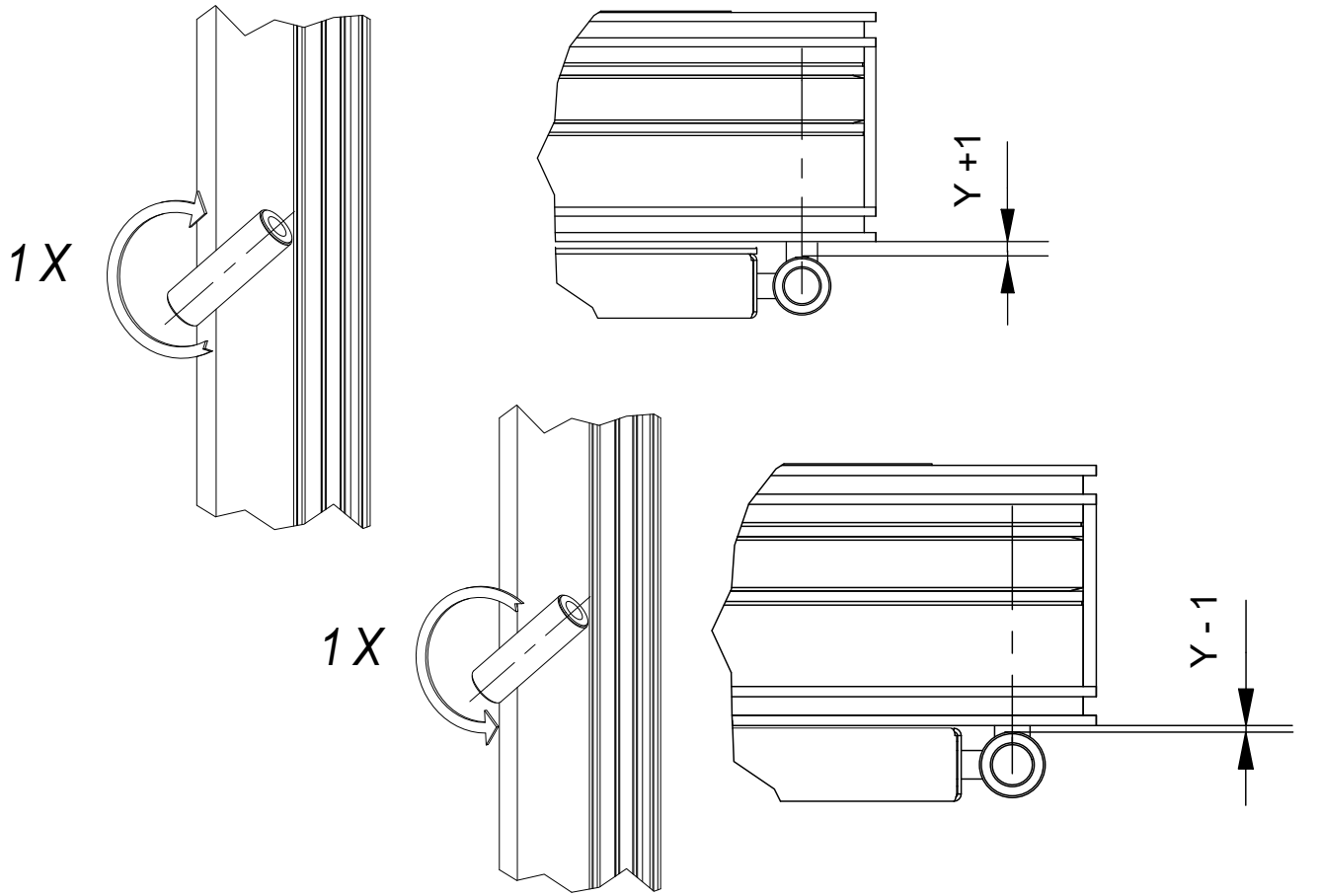
Y mm



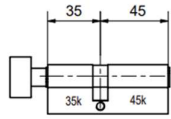
Y

DOOR TYPE				
DIM	P55	P68	S68	S68 ARCTIC
Y	2 mm	2 mm	3 mm	2 mm

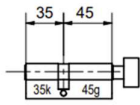
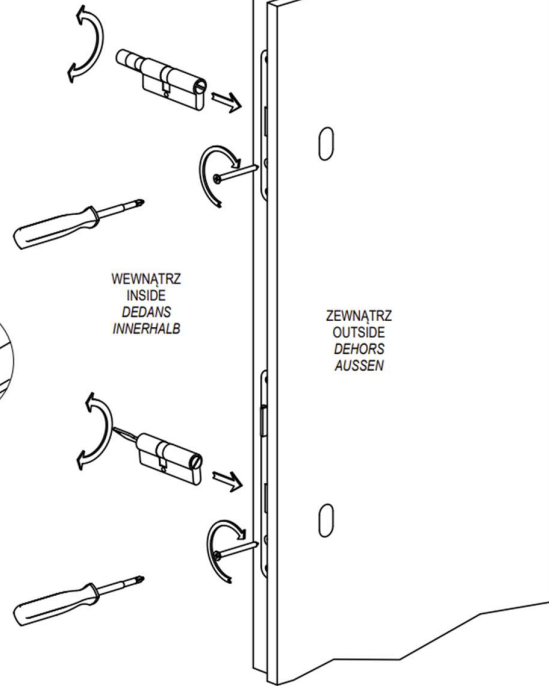
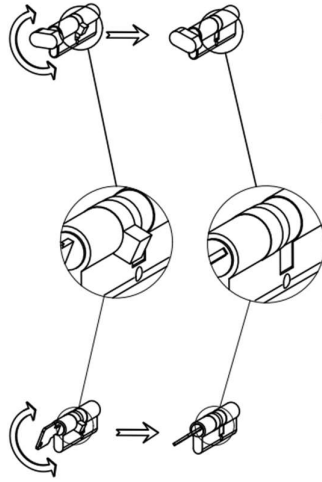
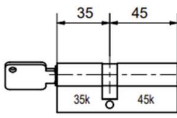
SYSTEM S68 ARCTIC



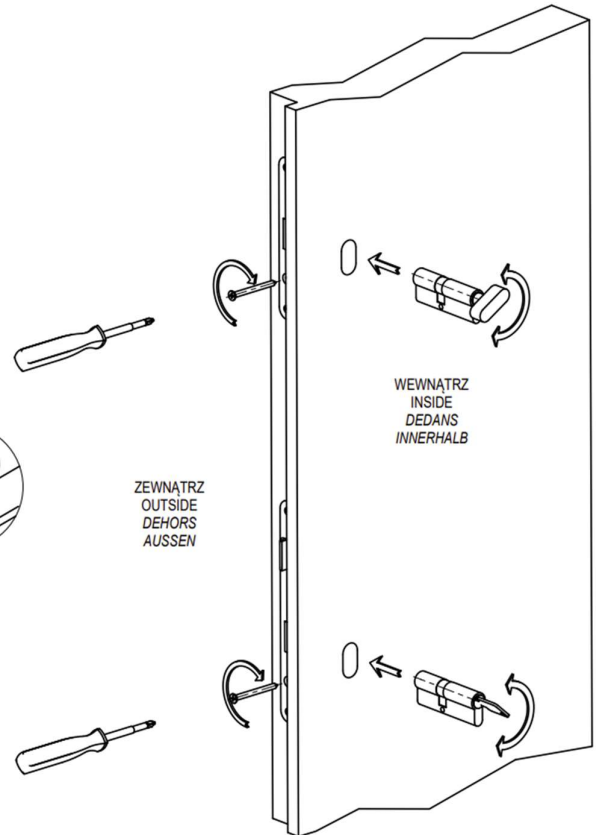
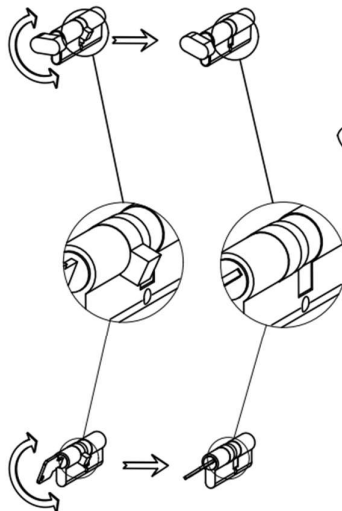
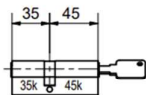
SYSTEM P55 G-K



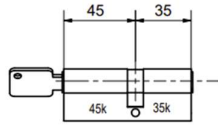
SYSTEM P55



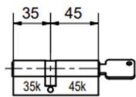
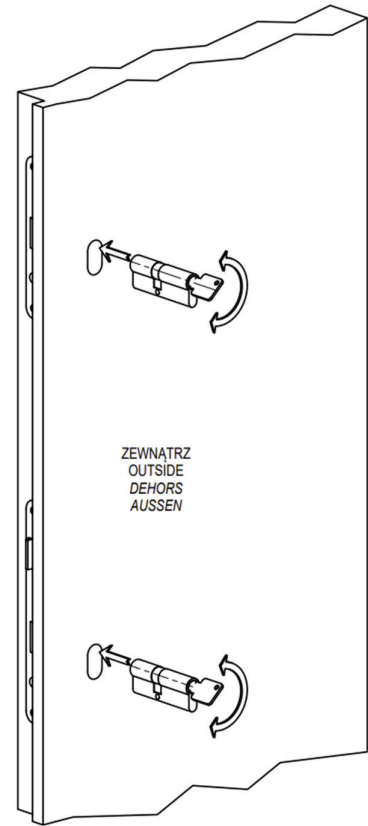
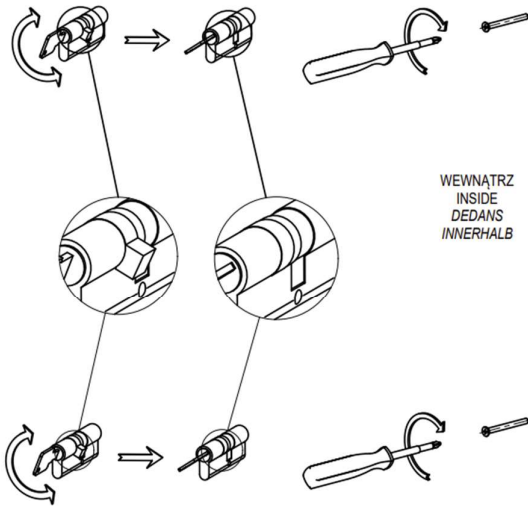
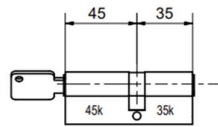
SYSTEM P55



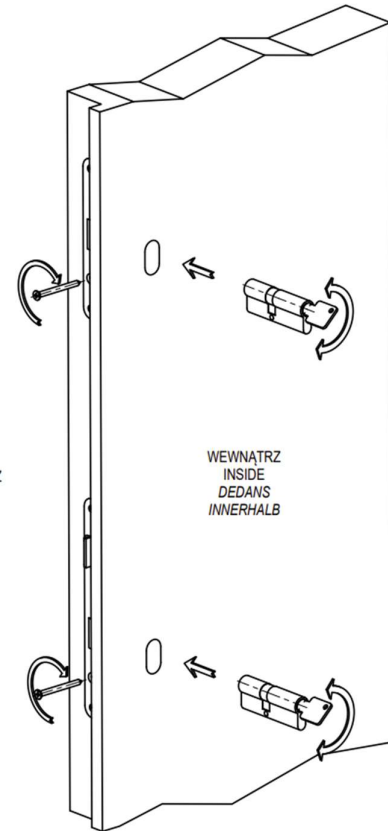
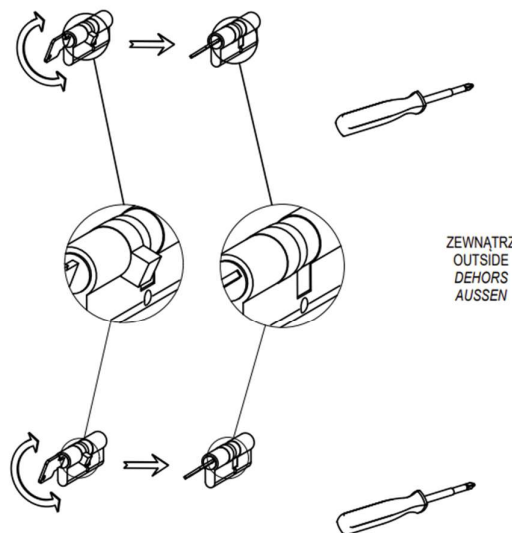
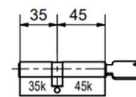
SYSTEM P55 K-K



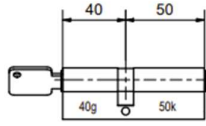
SYSTEM P55



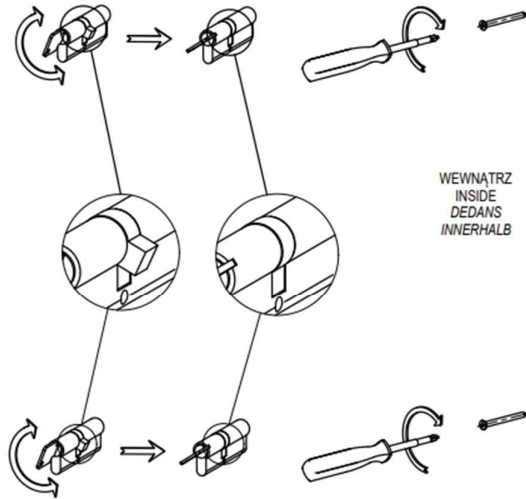
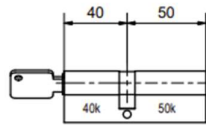
SYSTEM P55



SYSTEM P68 2Z K- K, S68 2Z K- K

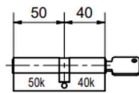
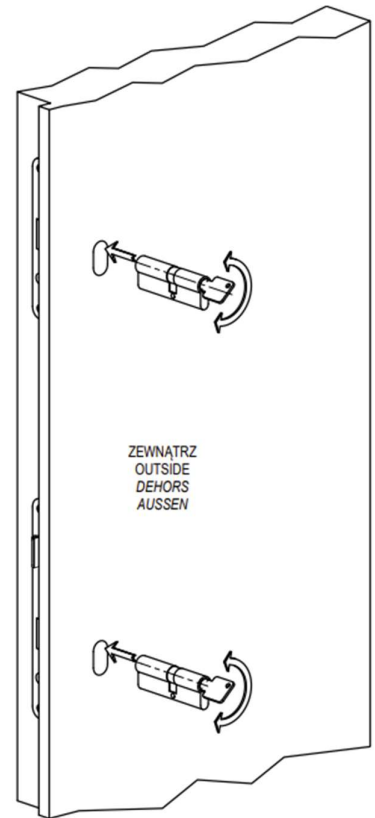


SYSTEM S68 2Z
SYSTEM S68 2ZA

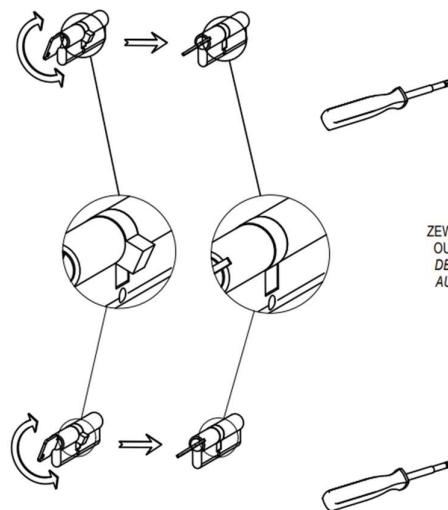
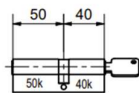


WEWNATRZ
INSIDE
DEDANS
INNERHALB

ZEWNATRZ
OUTSIDE
DEHORS
AUSSEN

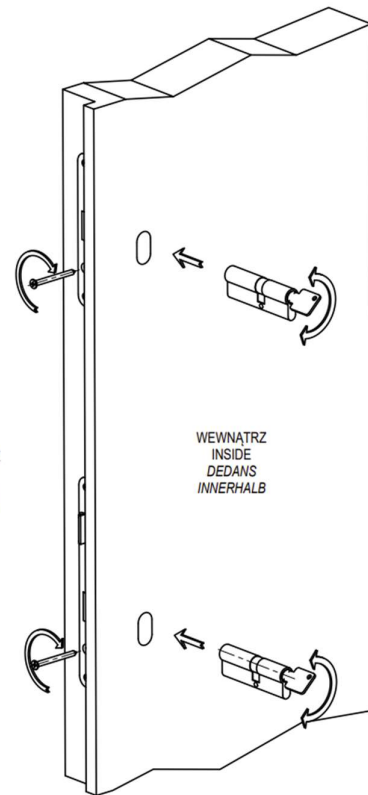


SYSTEM S68 2Z
SYSTEM S68 2ZA

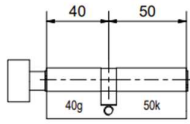


ZEWNATRZ
OUTSIDE
DEHORS
AUSSEN

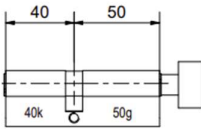
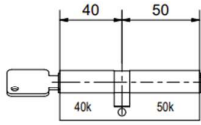
WEWNATRZ
INSIDE
DEDANS
INNERHALB



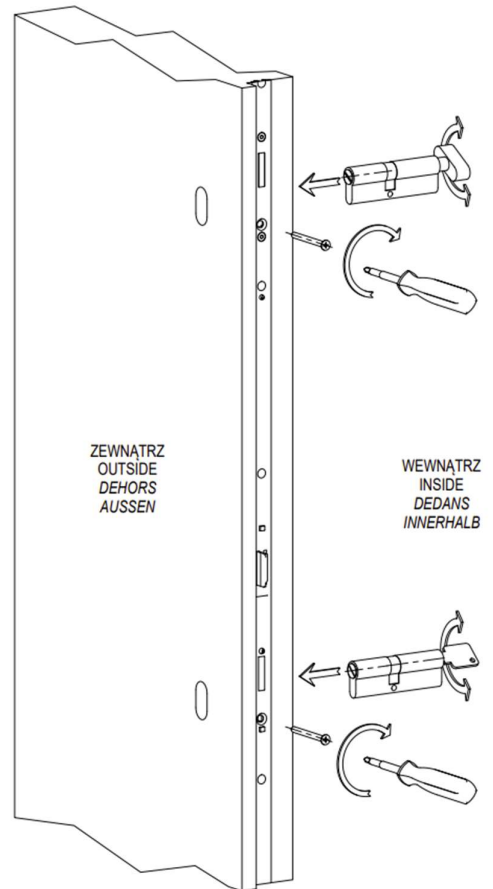
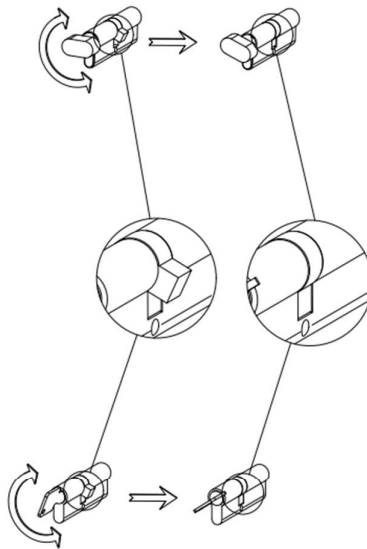
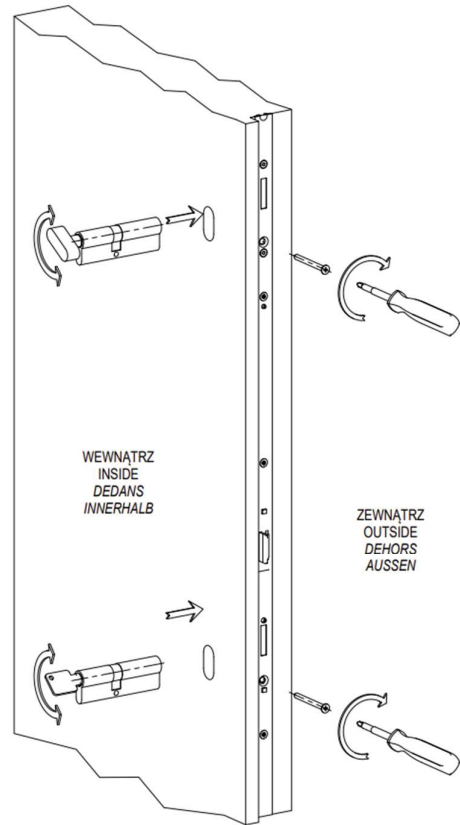
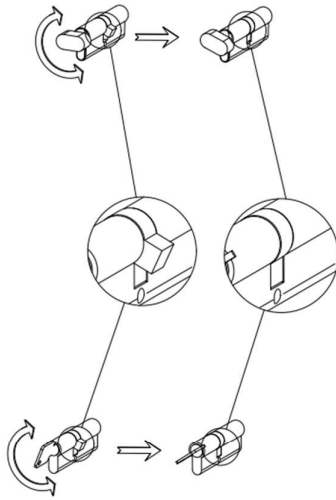
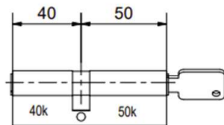
SYSTEM S68 ZL G- K



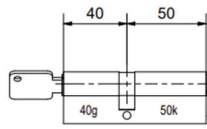
SYSTEM S68 ZL 2Z



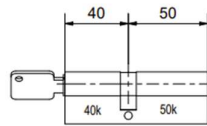
SYSTEM S68 ZL 2Z



SYSTEM S68 ZL K- K



SYSTEM S68 ZL 2Z



SYSTEM S68 ZL 2Z

